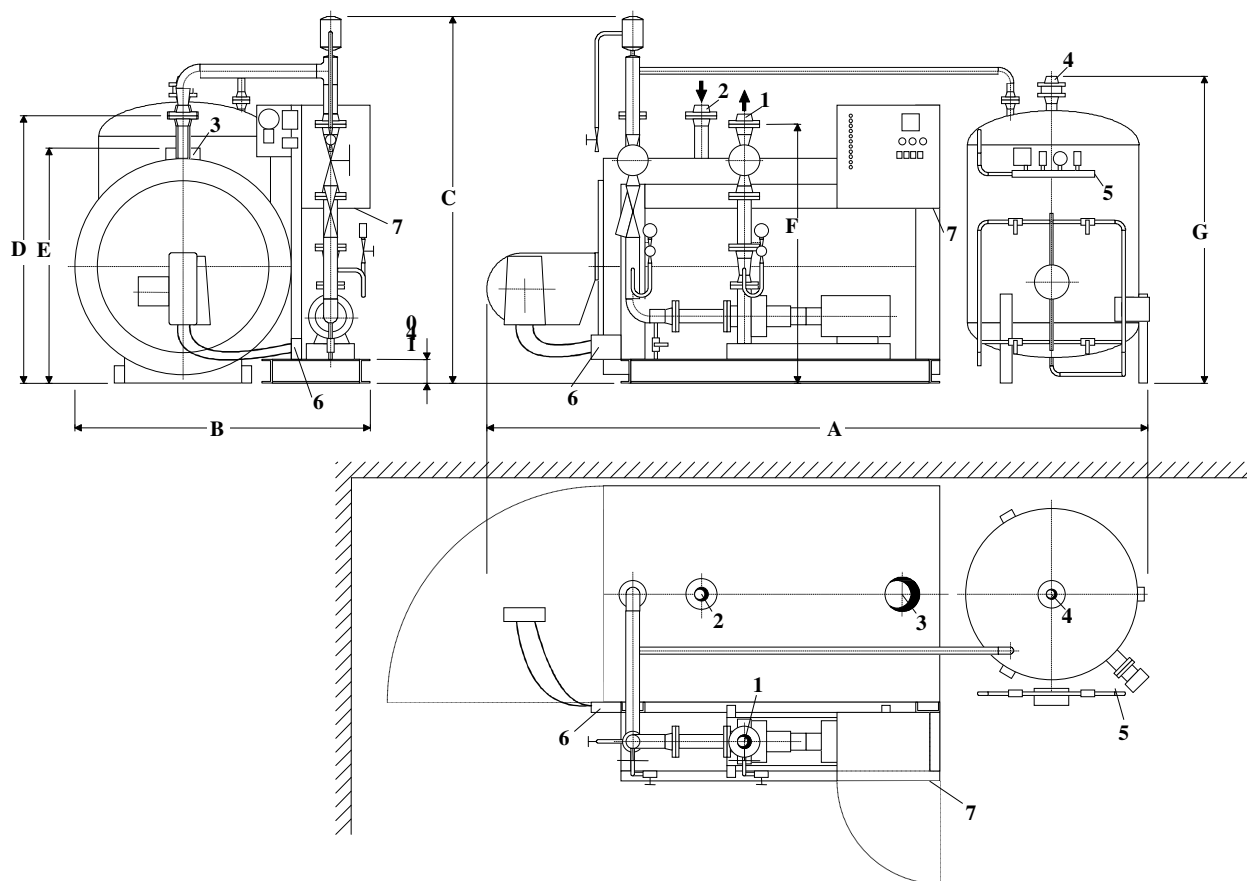


Kompaktanlage Wärmeträger-Erhitzer
Compact thermal oil heating plant
Typ/ Type: 2000/30

Regiomat®

Advance in heat transfer technology



| | | | |
|------------------------|--------------------------|-------------------|------------------------|
| Erhitzer | Heater | Typ | 2000/30 |
| Wärmeleistung | Heating capacity | kW | 2000 |
| Volumenstrom | Flow rate | m ³ /h | 115 |
| Pumpe | Pump | Typ | NTT 65-200/02/260/22.0 |
| Leichtöl-Brenner | Burner leight oil | Typ | Weishaupt |
| Kombinationsgefäß | Combination tank | Typ | 3000 |
| Füllmenge | Oil filling capacity | ltr. | 2779 |
| Max. zul. Anlageinhalt | Ma. Instal. filling rate | ltr. | 4444 |
| Leergewicht | Weight empty | Kg | 6945 |
| Elektr. Anschlusswert | Electr. connection | kW | 28 |
| Spannung | Tension | V/Hz | 3 x 400 V / 50 Hz |

| Anschlüsse / Connections | | | Masse / Measurements | |
|--------------------------|----------------|--------------|----------------------|---------|
| 1 Vorlauf | Outlet | DN 125 PN 16 | A | 6700 mm |
| 2 Rücklauf | Return | DN 125 PN 16 | B | 2750 mm |
| 3 Kaminanschluss | Chimney | 453 mm | C | 3020 mm |
| 4 Sicherheitsleitung | Safety line | DN 50 PN 16 | D | 2500 mm |
| 5 Stickstoffanschluss | Nitrogen | 1/4" | E | 2310 mm |
| 6 Oelanschluss | Leight oil | 1/2" | F | 1675 mm |
| 7 Elektroanschluss | electr. supply | PG | G | 2337 mm |