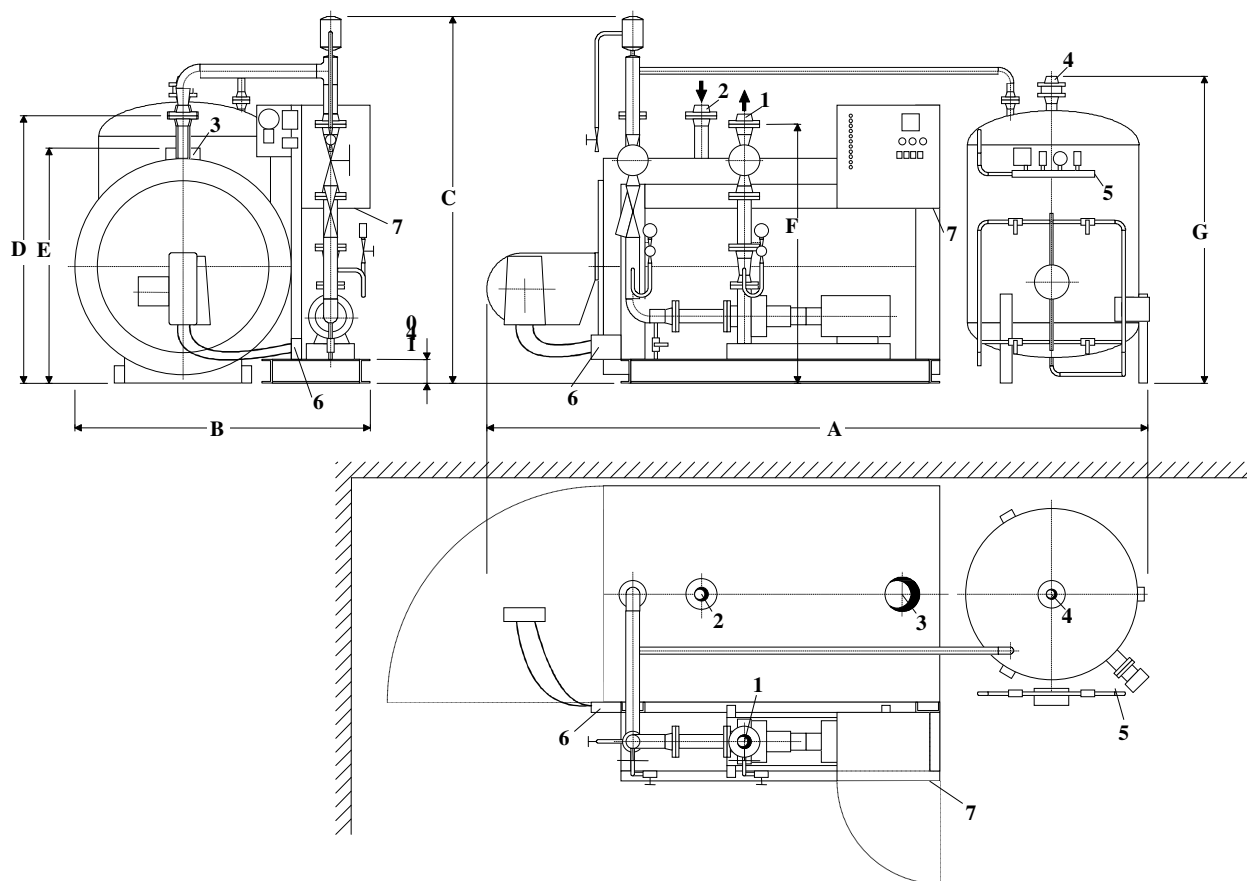


**Kompaktanlage Wärmeträger-Erhitzer**  
**Compact thermal oil heating plant**  
**Typ/ Type: 1600/30**

**Regiomat®**

Advance in heat transfer technology



|                        |                          |                   |                      |
|------------------------|--------------------------|-------------------|----------------------|
| Erhitzer               | Heater                   | Typ               | 1600/30              |
| Wärmeleistung          | Heating capacity         | kW                | 1600                 |
| Volumenstrom           | Flow rate                | m <sup>3</sup> /h | 92                   |
| Pumpe                  | Pump                     | Typ               | NTT 65-200/02/193/15 |
| Leichtöl-Brenner       | Burner leight oil        | Typ               | Weishaupt            |
| Kombinationsgefäß      | Combination tank         | Typ               | 2000                 |
| Füllmenge              | Oil filling capacity     | ltr.              | 2007                 |
| Max. zul. Anlageinhalt | Ma. Instal. filling rate | ltr.              | 3000                 |
| Leergewicht            | Weight empty             | Kg                | 5525                 |
| Elektr. Anschlusswert  | Electr. connection       | kW                | 20                   |
| Spannung               | Tension                  | V/Hz              | 3 x 400 V / 50 Hz    |

| Anschlüsse / Connections |                |              | Masse / Measurements |         |
|--------------------------|----------------|--------------|----------------------|---------|
| 1 Vorlauf                | Outlet         | DN 125 PN 16 | A                    | 6100 mm |
| 2 Rücklauf               | Return         | DN 125 PN 16 | B                    | 2520 mm |
| 3 Kaminanschluss         | Chimney        | 403 mm       | C                    | 3020 mm |
| 4 Sicherheitsleitung     | Safety line    | DN 50 PN 16  | D                    | 2300 mm |
| 5 Stickstoffanschluss    | Nitrogen       | 1/4"         | E                    | 2110 mm |
| 6 Oelanschluss           | Leight oil     | 1/2"         | F                    | 1675 mm |
| 7 Elektroanschluss       | electr. supply | PG           | G                    | 2163 mm |